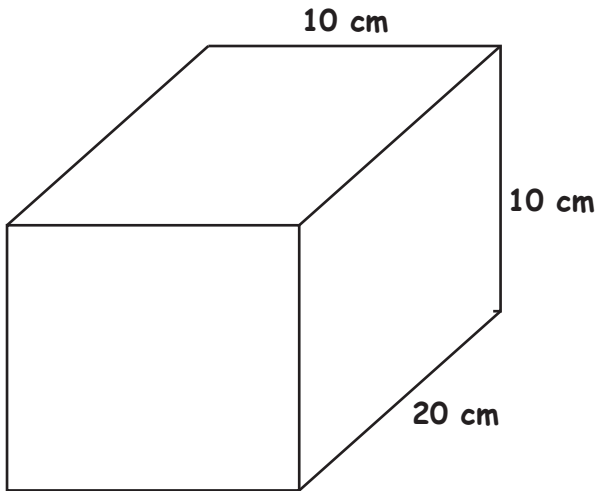


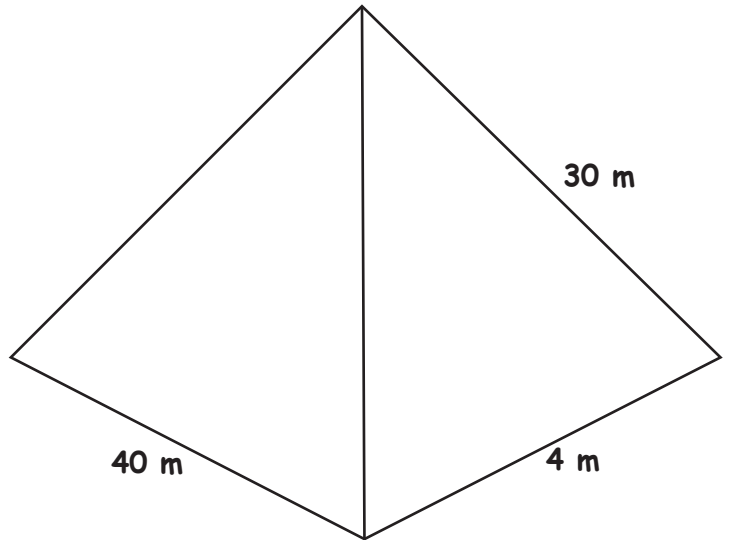
Name : Class :

Geometry

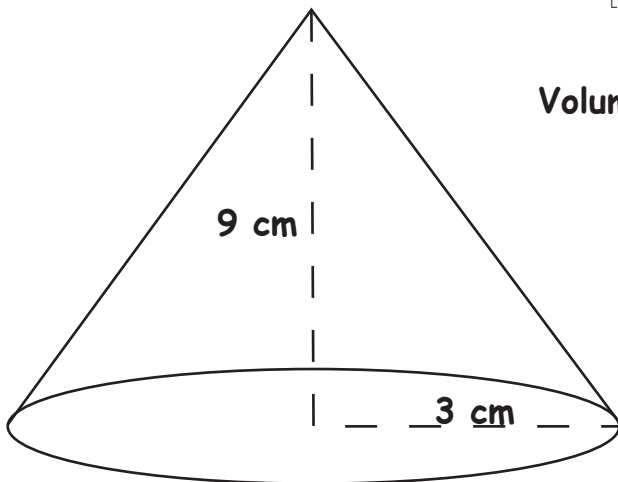
Calculate the following



Volume = $L \times W \times H$



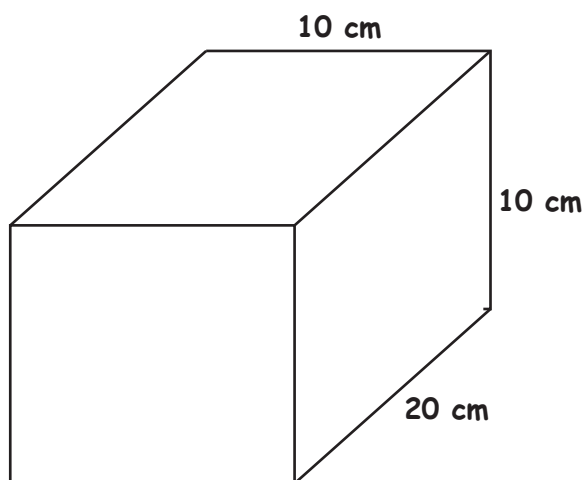
Volume of pyramid = $\frac{L \times W \times H}{3}$



Volume of cone = $\frac{3.14 r^2 \times \text{height}}{3}$

Answers

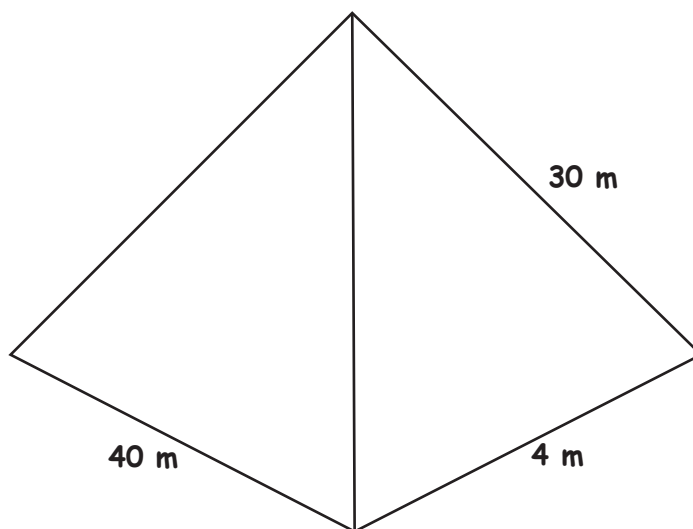
Calculate the following



Volume = $L \times W \times H$

$$20 \text{ cm} \times 10 \text{ cm} \times 10 \text{ cm}$$

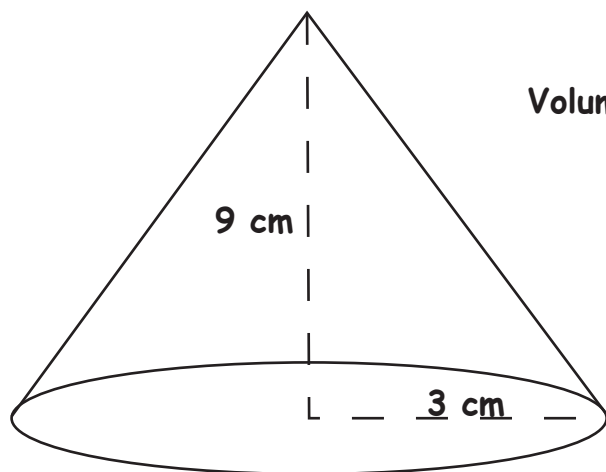
$$2,000 \text{ cm}^3$$



Volume of pyramid = $\frac{L \times W \times H}{3}$

$$\frac{40 \times 4 \times 30}{3}$$

$$1600 \text{ m}^3$$



Volume of cone = $\frac{3.14 r^2 \times \text{height}}{3}$

$$84.78 \text{ cm}^3$$